

SPECIFICATIONS

INPUT POWER

- 24V AC 50/60Hz, 24V DC, or 24V full wave rectified AC/ pulsed DC 0.2A max

OUTPUT

- Relay contacts: 2A max, 30V
- Relay contacts close when ambient temperature is at or below the set point temperature and precipitation is detected
- Relay contacts remain closed during pre-set delay after snow event ends
- Three wire connection (2 for power, 2 for relay & 1 for config)

SET POINT TEMPERATURE

- 38°F (Default) configurable for 34°F, 36°F, 38°F or 40°F

HOLD-ON TIMES

- Set 1 minute (Default) configurable for 0 hr (1min)1 hr, 3 hrs or 5 hrs

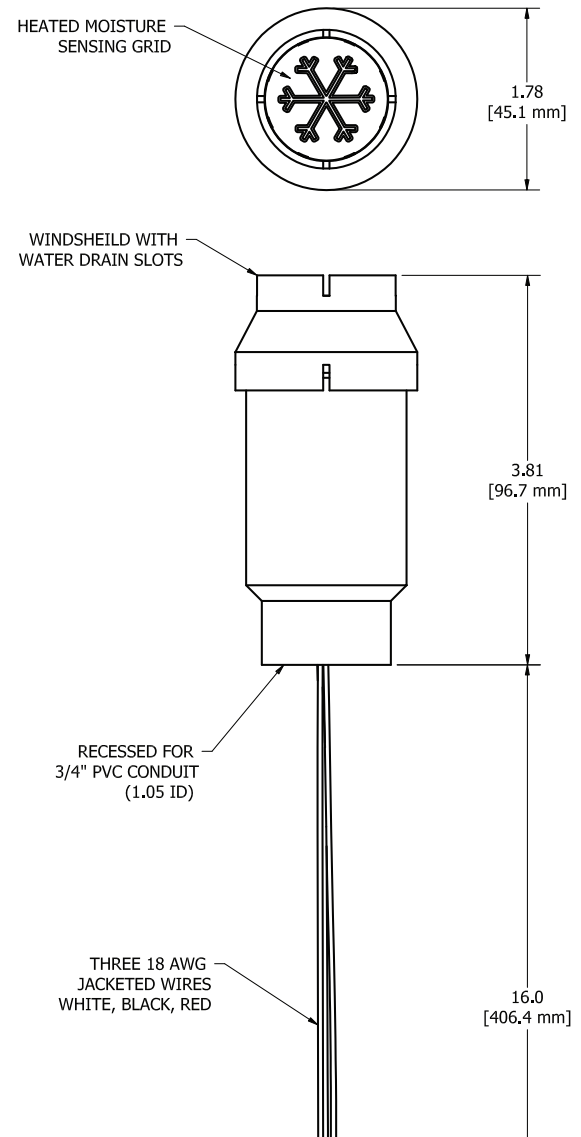
DIMENSIONS

3-3/4 inches tall, 1-3/4 inches diameter

STORAGE TEMPERATURE

-40°C to +85°C

Can be mounted 500 feet from the controller using 22ga cable or up to 1,000 ft. using 18ga cable (Depending on load requirements)



ORDERING INFORMATION

Order Number	Description
25426	Snow Switch ETI Snow Hawk
25465	ETI Snow Hawk Operation Manual
25467	Installation Sheet
25xxx	ETI Snow Hawk Data Sheet (this document)

LIMITED WARRANTY

ETI's two year limited warranty covering defects in workmanship and materials applies. Contact Customer Service for complete warranty information.

The ETI logo and We Manage Heat are registered trademarks of ETI. ETI Snow Owl is a trademark of ETI. Copyright © 2019 ETI. All rights reserved.

DISCLAIMER

ETI makes no representations or warranties, either expressed or implied, with respect to the contents of this publication or the products that it describes, and specifically disclaims any implied warranties of merchantability or fitness for any particular purpose. ETI reserves the right to revise this publication, and to make changes and improvements to the products described in this publication, without the obligation of ETI to notify any person or organization of such revisions, changes or improvements.