

**NETCOM MODEL ASM-1**  
AUTOMATED AIR DISTRIBUTION MANIFOLD

## FEATURES & BENEFITS

- Distributes dry low pressure air from one or more sources to one or more transmission lines
- Continuous system monitoring allows leaking lines to be isolated while the rest of the system remains pressurized
- Periodic automated line testing can identify future line leaks for planning maintenance before critical failures
- Highly configurable to meet the needs of wide ranging applications  
Programmable operating pressure range: 0.10 psig - 7.50 psig (7mbar - 517mbar)
- Programmable pressure relief valve to bleed off excess system pressure
- common with high solar gains  
Future-proof software based features allow updates and upgrades while in service
- Remote monitoring and control with web interface or SNMP
- Configurable Parallel Pumping operation combines multiple ADH NETCOM dehydrators for increased system capacity
- Configurable Redundant Pumping operation combines multiple ADH NETCOM dehydrators for increased system reliability
- Ethernet, RS-422/485, RS-232 and alarm relay outputs for compatibility with nearly any system
- Simple power connections for 100-240 VAC or  $\pm 20-75$  VDC
- Small, light weight chassis with multiple mounting options makes installation easy
- Low energy use minimizes operational costs

## DESCRIPTION

The ASM-1 Smart Manifold automated air manifold distributes low pressure dry air from one or more sources to one or more transmission lines. Output pressure is configurable between 0.10 psig and 7.50 psig (7mbar - 517mbar) in 0.01 psig (0.67mbar) increments. Factory default pressure is 0.5 psig (34.5mbar). Operational monitoring and alarms are software based making them highly configurable in the field. Future software features can be installed while in service over the internet or local Ethernet network.

The ASM-1 Smart Manifold automated air manifold is Ethernet network ready. Units can be configured and monitored using either built in SNMP support or the web interface. Legacy system support is provided via RS-422/485 or RS-232 interfaces. Three

programmable alarm relays are also included. Communicated operational information includes pressure, status and leak down rate for the system and each port, and system duty cycle.

Seven of the ASM-1 Smart Manifold automated air manifold's eight ports can be configured as input, output or unused. The eighth port is configured as a system pressure relief valve allowing the manifold to bleed off excess system pressure common with solar gain or to vent the system during certain system tests.

Multiple ADH NETCOM automatic air dehydrators can be controlled by an ASM-1 Smart Manifold automated air manifold for parallel or redundant pumping operation. Parallel pumping of two or more ADH NETCOM dehydrators provides increased volumes of dry low pressure air by running the ADH NETCOM dehydrators together as one. Redundant pumping of two or more ADH NETCOM dehydrators provides

increased system reliability by keeping one or more dehydrators on standby should the primary dehydrator fail. To enhance system reliability in this mode each dehydrator will alternate as primary.

The ASM-1 Smart Manifold automated air manifold requires only 5-1/4" (3-U) of rack space and is just 12" (304.8mm) deep. Mounting hardware allows for flexible installation options including dual- and single-post rack mounting and wall mounting. The standard unit weighs just 11 lbs (5 kg).

The ASM-1 Smart Manifold automated air manifold operates from 100-240 VAC, 50/60 Hz. Optional units are available at  $\pm 20-75$  VDC.

For complete information describing its application, installation and features, please contact Customer Service or check on the web at [networketi.com](http://networketi.com).

## SPECIFICATIONS

### GENERAL

Area of use  
Approvals

Non-hazardous locations



**Type 1950**  
Information Technology Equipment  
Also evaluated by Underwriters Laboratories Inc.\*  
In accordance with IEC Publication 950



### ENVIRONMENTAL

Operating temperature 32°F to 130°F +/-2°F (0°C to 55°C +/-1°C)  
Storage temperature -40°F to 150°F (-40°C to 60°C)

### ENCLOSURE

Dimensions 17" x 12" x 5-1/4" (432mm x 305mm x 133mm)  
Weight 11 lbs (5kg)  
Mounting Dual-post rack, flush mounted  
Single-post rack, center mounted  
Wall mounted

### POWER

Supply voltage 100-240 VAC, 50/60 Hz | ±20-75 VDC  
Maximum current 1.0 Amps at 100 V  
Power usage 60 W max  
Heat dissipation 205 BTU/hr max

### OUTPUT

Maximum pressure 7.5 psig (517mbar)  
Pressure relief valve 8 psig (552mbar)  
Display units SI (millibars); English (psig), default  
Ports 8 x 1/8" NPT (2 input, 5 outlet and pressure relief valve default) 3/8" or 1/4" hose barbs (both included)

### CONTROL

Protocols HTTP (Web Interface), SNMP, UDP, TFTP  
Maximum pressure Configurable Range: 0.20 psig - 7.5 psig (14mbar - 517mbar), Default: 0.50 psig (34.5mbar)  
Minimum pressure Configurable Range: 0.10 psig - 7.4 psig (7mbar - 510mbar), Default: 0.30 psig (21mbar)  
Low pressure alarm level User Configurable, Default: 0.15 psig (10mbar)  
High pressure alarm level User Configurable, Default: 1.5 psig (103.5mbar)  
Alarm relays Contact Type - Form C, SPDT, reverse acting  
Ratings - 0.25 Amps @ 60 V  
User Configurable, Defaults - Alarm Relay 1: Summary Alarm, Alarm Relay 2: Low Pressure Alarm, Alarm Relay 3: Over Pressure Alarm  
User Configurable, Default: 50%  
User Configurable, Default: Standard/Slave  
Parallel pumping configuration User configurable, Default: Off  
Redundant pumping configuration User configurable, Default: Off

## ORDERING INFORMATION

ORDER NUMBER	DESCRIPTION
23658	ASM-1 Smart Manifold, 100-240 VAC

## LIMITED WARRANTY

ETI's two year limited warranty covering defects in workmanship and materials applies. Contact Customer Service for complete warranty information.

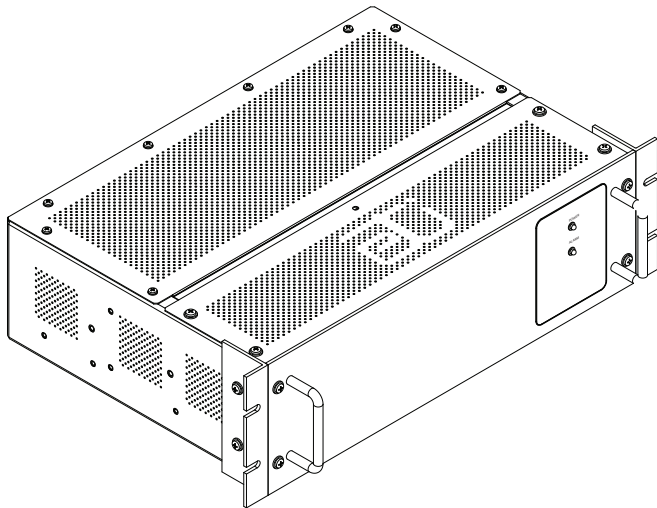
## DISCLAIMER

ETI makes no representations or warranties, either expressed or implied, with respect to the contents of this publication or the products that it describes, and specifically disclaims any implied warranties of merchantability or fitness for any particular purpose. ETI reserves the right to revise this publication, and to make changes and improvements to the products described in this publication, without the obligation of ETI to notify any person or organization of such revisions, changes or improvements.

*The ETI logo, We Manage Heat, and ADH are registered trademarks of ETI. NETCOM is a trademark ETI. Copyright © 2012 ETI. All rights reserved.*

## NETCOM MODEL ASM-1 MOUNTING OPTIONS

Rack Mount



Wall Mount

