

FIGURE 1. Moisture Sensor Cup.

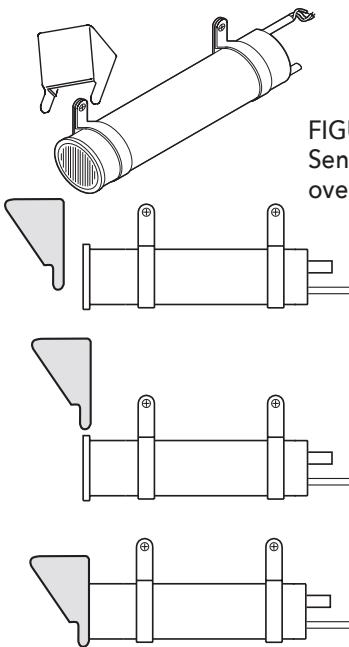


FIGURE 2. Moisture Sensor Cup positioned over grid-end of Sensor.

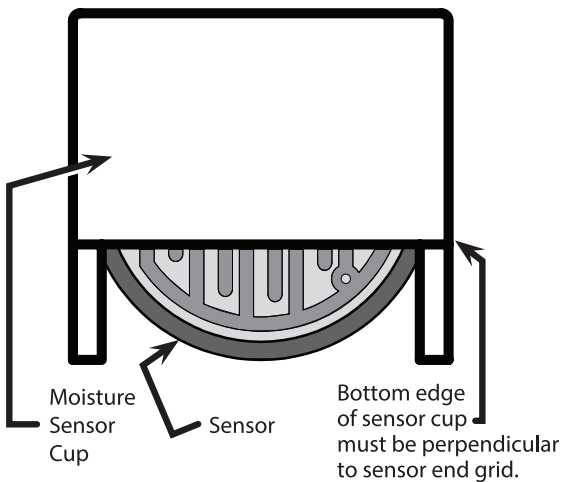


FIGURE 3. Moisture Sensor Cup installed over the Sensor.

GENERAL GUIDELINES

An optional moisture sensor cup has been included with this assembly to enable the ice/snow sensor to work most efficiently in the widest possible variety of weather conditions in which it will be used. Refer to Figure 1. Specifically, the optional moisture sensor cup will keep ice and dry snow from mounding up over the moisture sensor, limiting its full effectiveness, especially in areas of extreme cold or high altitudes. This installation sheet describes the installation and use of this optional moisture sensor cup.

It is important to keep the gutters clean when using a gutter sensor. The addition of the moisture sensor cup requires extra care to keep the cup free of debris.

Note that the use of the optional moisture sensor cup will require that the gutters be kept as clean and free from leaves and related debris as possible so that the sensor unit does not run longer than necessary.

PACKING LIST

Part	Number Description
23973	Installation Sheet (this document)
23864	Moisture Sensor Cup

INSTALLATION INSTRUCTIONS

The optional moisture sensor cup can be used either to retrofit an existing moisture sensor or when installing a new sensor. In either case, the most critical issue regarding its installation is that the bottom of the moisture sensor cup must be perpendicular to the grid lines in the sensor end.

To retrofit an existing sensor or to fit the adapter over a new sensor prior to installation, perform the steps below.

1. Position the moisture sensor cup over the far end of the moisture sensor, opposite the end with the electrical wires. Refer to Figure 2.
2. Align the moisture sensor cup mounting groove over the flanged end of the moisture sensor. The sensor cup was designed to fit and mate snugly over the moisture sensor flange to help hold it in place.
3. Push the moisture sensor cup down over the moisture sensor flange until it snaps into position and is properly seated on the moisture sensor.
4. Once the adapter has been secured in place over the moisture sensor flange, gently rotate the adapter in either direction until the bottom of the cup is perpendicular to the sensor end grid. Refer to Figure 3.
5. With the moisture sensor cup now in place over the moisture sensor and aligned perpendicular to the end grid, moisture sensor installation may proceed. Make sure upon sensor installation to rest the adapter on its two feet along the bottom of the gutter as this is the optimum positioning for the proper function of the moisture sensor cup.

QUESTIONS AND COMMENTS

For technical help, questions, or comments concerning this or any ETI product, contact the Customer Service Department between 8:00 a.m. and 5:00 p.m. EST.

E-mail: helpdesk@networketi.com

LIMITED WARRANTY

ETI's two year limited warranty covering defects in workmanship and materials applies. Contact Customer Service for complete warranty information.

DISCLAIMER

ETI makes no representations or warranties, either expressed or implied, with respect to the contents of this publication or the products that it describes, and specifically disclaims any implied warranties of merchantability or fitness for any particular purpose. ETI reserves the right to revise this publication, and to make changes and improvements to the products described in this publication, without the obligation of ETI to notify any person or organization of such revisions, changes or improvements.