



We Manage Heat®

BENEFITS

- Supervise snow/ice melting from a convenient location
- Complete melting under unusual environmental conditions

FEATURES

- Low cost
- Simple installation

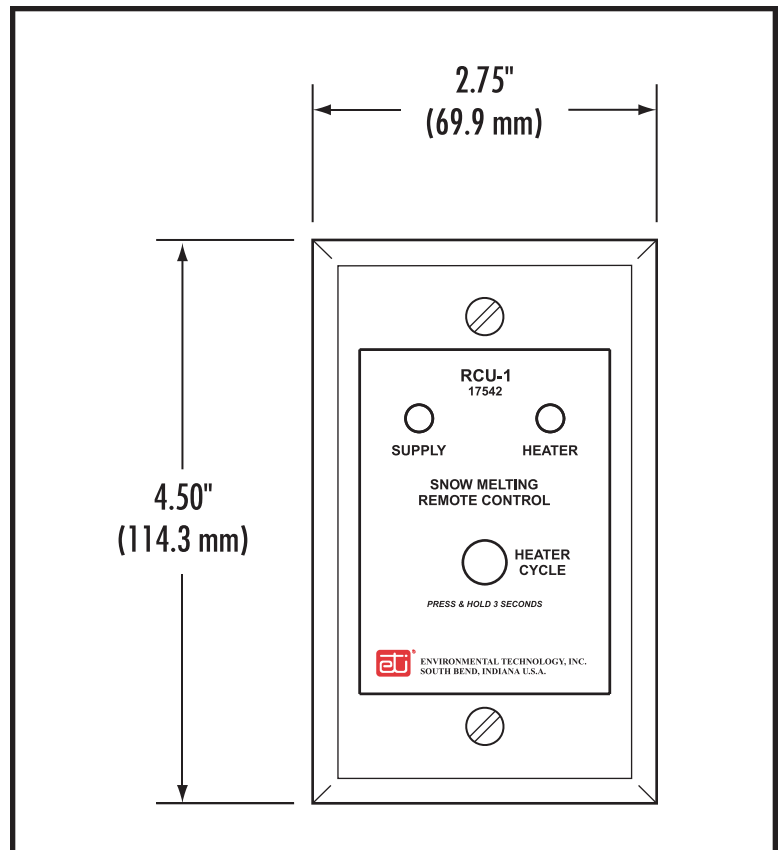
DESCRIPTION

The RCU-1 Remote Control Unit is an accessory for use with APS-3B, APS-4, EUR-5, ZSC-2 control panels. Panels are usually located with building mechanical and electrical equipment. The RCU-1 provides a convenient and economical means of monitoring and control of a snow/ice melting system from a remote location.

Environmental conditions sometimes require overriding automatic heater operation. Typical examples include situations where the sensor is not exposed to drifting or tracked snow and slush. Locations such as parking garage entrances, building portals and loading docks are often exposed to tracking problems. Also, spring and fall storms can deposit heavy, wet snow at a rate the heaters cannot melt. Operating the heaters for the hold-on time generally takes care of these problems.

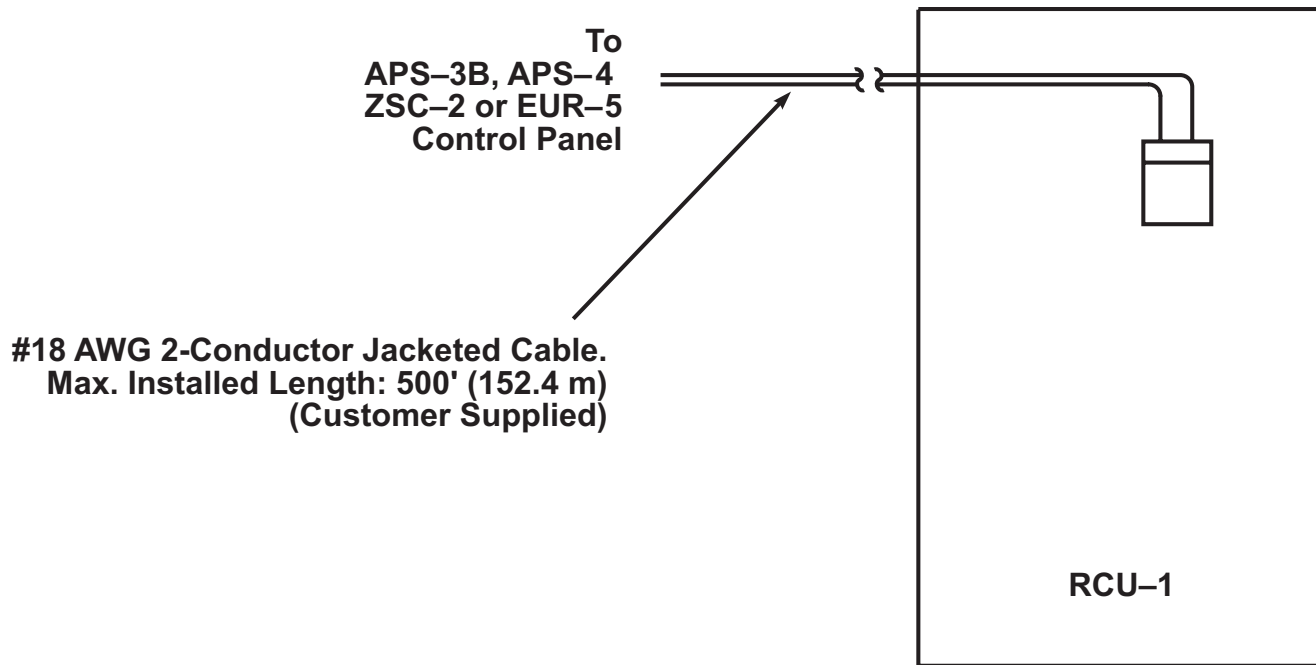
The RCU-1 provides a switch for operating the heaters for the hold-on time. Indicators show the status of the snow/ice melting system.

The RCU-1 mounts in an indoor single-gang switch box suitable for either a flush or surface mounted installation. It is wired to the control panel, using up to 500' (152 meters) of #18 wire via a NEC Class 2 circuit.



ENVIRONMENTAL TECHNOLOGY, INC.
1302 HIGH STREET
SOUTH BEND, IN 46601 USA

TYPICAL INSTALLATION



ORDERING INFORMATION

Order Number
17542

Description
RCU-1 Remote Control Unit

LIMITED WARRANTY

ETI's two year limited warranty covering defects in workmanship and materials applies. Contact Customer Service for complete warranty information.

DISCLAIMER

Environmental Technology, Inc. makes no representations or warranties, either expressed or implied, with respect to the contents of this publication or the products that it describes, and **specifically disclaims any implied warranties of merchantability or fitness for any particular purpose**. Environmental Technology, Inc. reserves the right to revise this publication, and to make changes and improvements to the products described in this publication, without the obligation of Environmental Technology, Inc. to notify any person or organization of such revisions, changes or improvements.



ENVIRONMENTAL TECHNOLOGY, INC.

1302 High Street, South Bend, Indiana 46601 (574)233-1202 / FAX (574)233-2152 / Toll Free (800)234-4239 / Toll Free FAX(888) 234-4238
<http://www.networketi.com> e-mail: helpdesk@networketi.com

The ETI Logo, We Manage Heat and Snow Switch are registered trademarks of Environmental Technology, Inc.
RCU, APS, EUR and ZSC are trademarks of Environmental Technology, Inc.
Copyright ©2002 Environmental Technology, Inc. All rights reserved.

19062 rev b 3/03