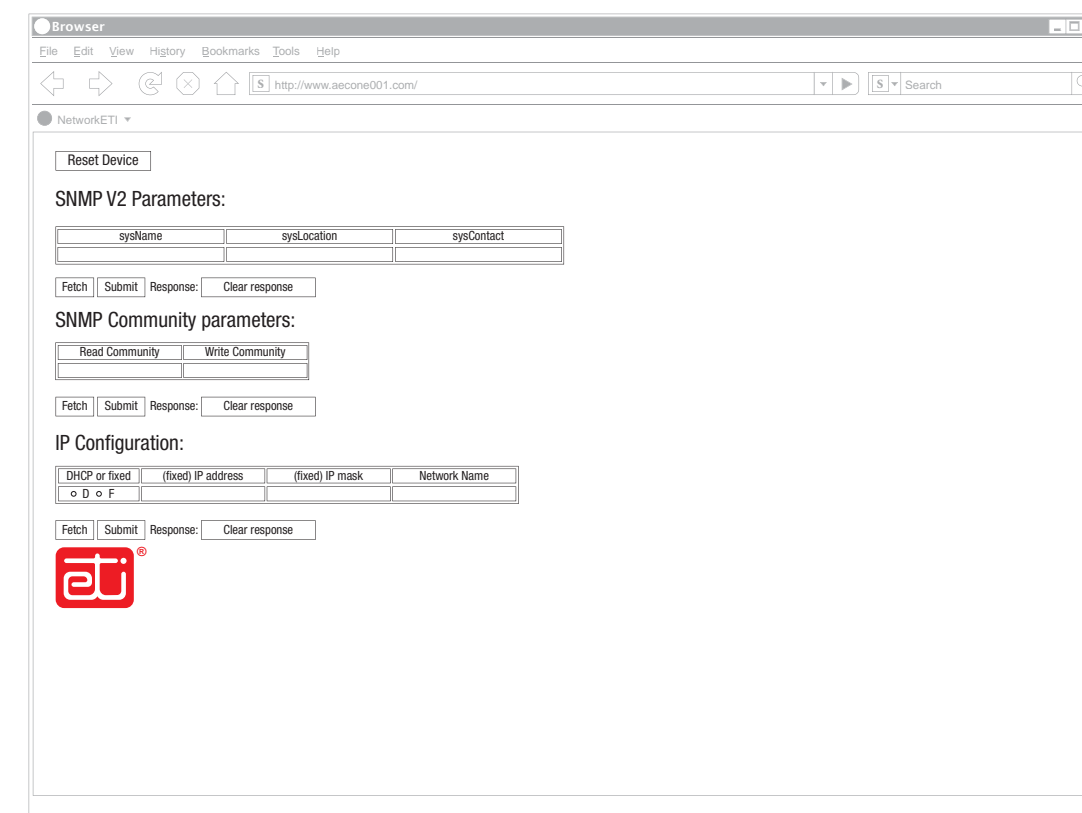


Packing List

Qty	ETI P/N	Description
1	23242	ADH NETCOM Automatic Dehydrator, Redundant DC Power Supply
1	23526	ADH NETCOM Instruction Manual
1	23229	ADH NETCOM Installation Sheet (this document)
1	18198	1/8" NPT to 1/4" Barbed Brass Fitting
1	23428	1/8" NPT to 3/8" Barbed Brass Fitting
4	23245	Mounting Bracket
8	11040	Rack-mounting screw (#8-32)
8	10641	#8 Split Washer

Connections

1. Connect feed hose to 1/8" NPT outlet using 1/4" or 3/8" barbed fitting supplied.
 2. Connect required data and alarm relay ports. RS-422 and RS-232 ports may require configurations changes via the web interface. See Instruction Manual for more information.
- Note: Unit does not have power switch. When power is applied to either power input, the system will start.**
3. Connect DC power supply. System can be connected to two independent supplies providing ± 20-75 VDC. Attach to Supply 1 (negative and positive) and Supply 2 (negative and positive) as shown on the panel. Attach ground to either the ground lug or the ground terminal on the terminal block.



Configuring IP Address

1. Connect to computer or network
2. Temporarily assign computer an IP address in the 192.168.52.0 network range, typically 192.168.52.1, with the subnet 255.255.255.0
3. Connect to web interface at HTTP: //192.168.52.9
4. Click Go to configuration page
 - For DHCP:
 - Select D and enter network name
 - For fixed IP Address:
 - Select F, enter fixed IP Address, IP Mask and Network Name
5. Click Submit

Configuring SNMP

- Parameters**
 Enter device name, device location, contact information (i.e. name and extension or name and email) and click submit
- Community**
 Enter SNMP read community, SNMP write community and click submit

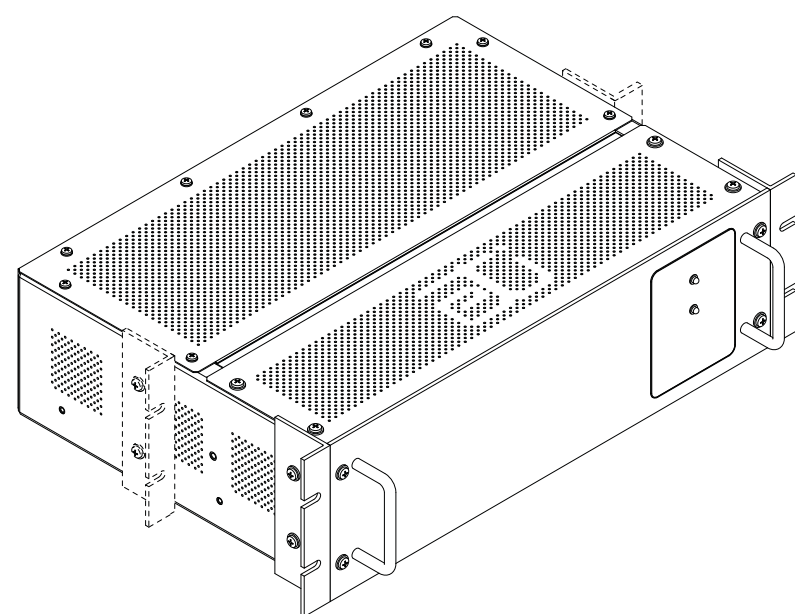
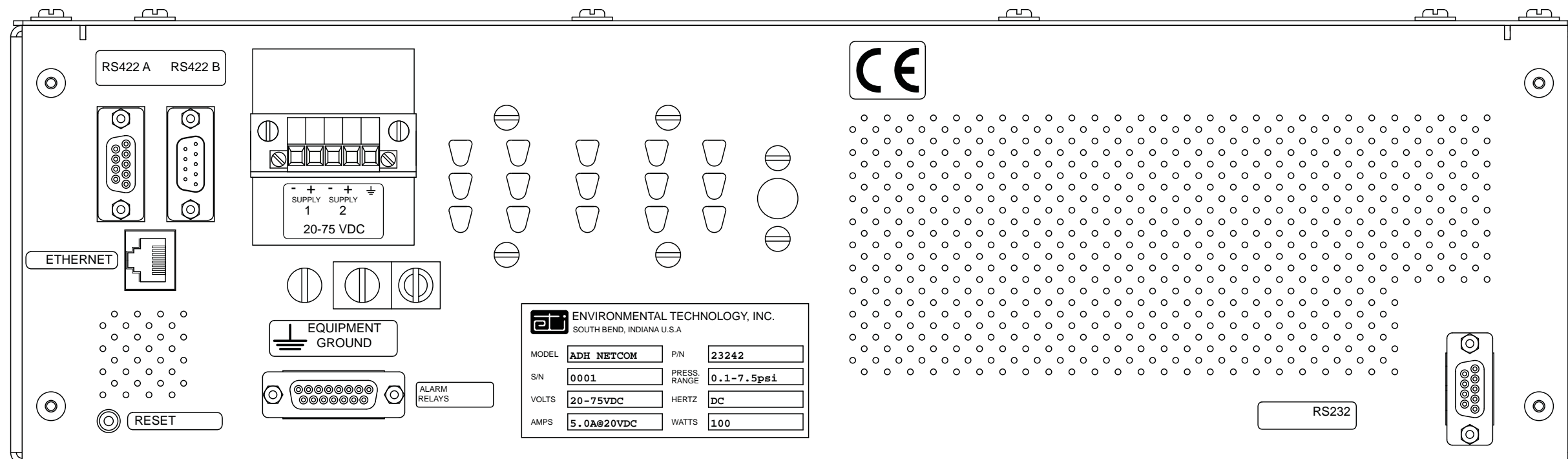
Configuring Pressure

1. To determine the current operational pressure settings click fetch.
2. To change the operational pressure setting enter the following:
 - Low Alarm - The pressure at which Low Pressure will cause an alarm condition.
 - Low Limit - The low set point at which the unit will start pumping.
 - High Limit - The high set point at which the unit will stop pumping.
 - High Alarm - The pressure at which High Pressure will cause an alarm condition.
3. Using the Units pull-down select English (PSI) or SI (mbar).
4. Click submit.

Questions & Comments

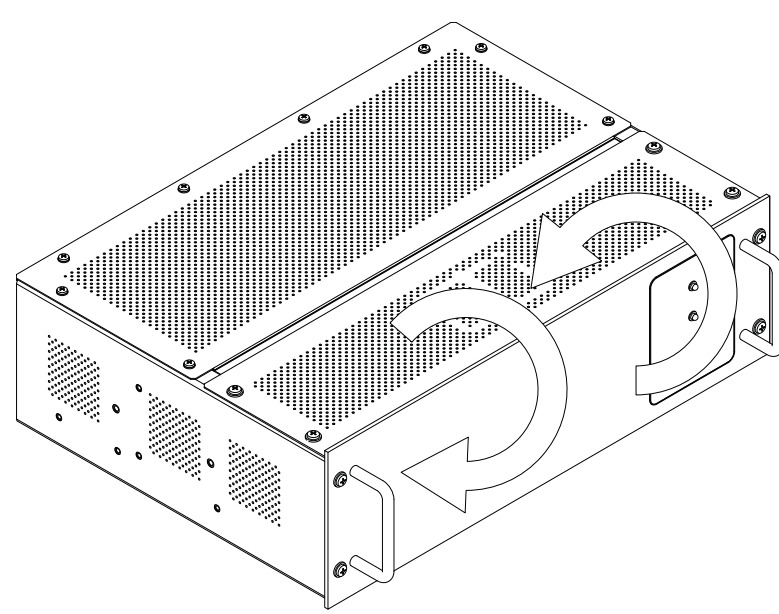
For technical help, questions or comments concerning this product or any Environmental Technology, Inc. product contact:

Customer Service 8:00 a.m. - 5:00 p.m. EST.
Voice: (800)234-4239 USA & Canada or (574)233-1202 elsewhere
Fax: (888)234-4238 USA & Canada or (574)233-2152 elsewhere
Email: helpdesk@networketi.com
Web: http://www.networketi.com



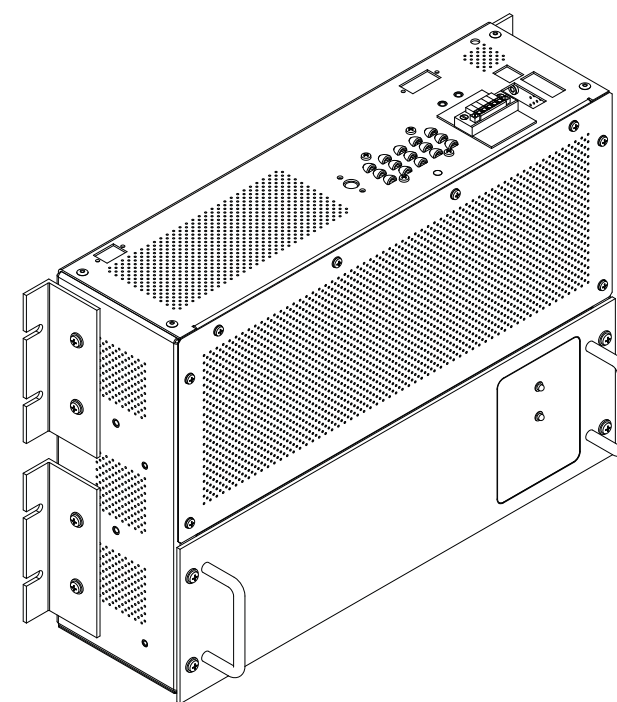
Rack Mounting

The dehydrator is equipped with positions for either flush-mounting (for dual-post racks and enclosures) or center-mounting (for single-post racks).
 If using mounting rails (not supplied) do not install mounting brackets.



Wall Mounting Configuration

To configure the dehydrator for wall mount installation remove the front panel and the portion of the vented cover with the ETI logo. Reinstall the front panel so that it will be in the new front position once the dehydrator is oriented for wall mounting. Reinstall the small vented panel so that it will be in the new bottom position.



Wall Mounting

Ensure the mounting surface and hardware are suitable to support a static load of approximately four times the weight of the unit, or 64 pounds (29 kg). Use four appropriate 5/16" mounting hardware to fasten the unit and ensure stable mounting. The dehydrator is equipped with four brackets for wall-mounting.

DISCLAIMER

Environmental Technology, Inc. makes no representations or warranties, either expressed or implied, with respect to the contents of this publication or the products that it describes, and specifically disclaims any implied warranties of merchantability or fitness for any particular purpose. Environmental Technology, Inc. reserves the right to revise this publication, and to make changes and improvements to the products described in this publication, without the obligation of Environmental Technology, Inc. to notify any person or organization of such revisions, changes or improvements.

The ETI logo, We Manage Heat and ADH are registered trademarks of Environmental Technology, Inc. Copyright © 2009 Environmental Technology, Inc. All rights reserved.