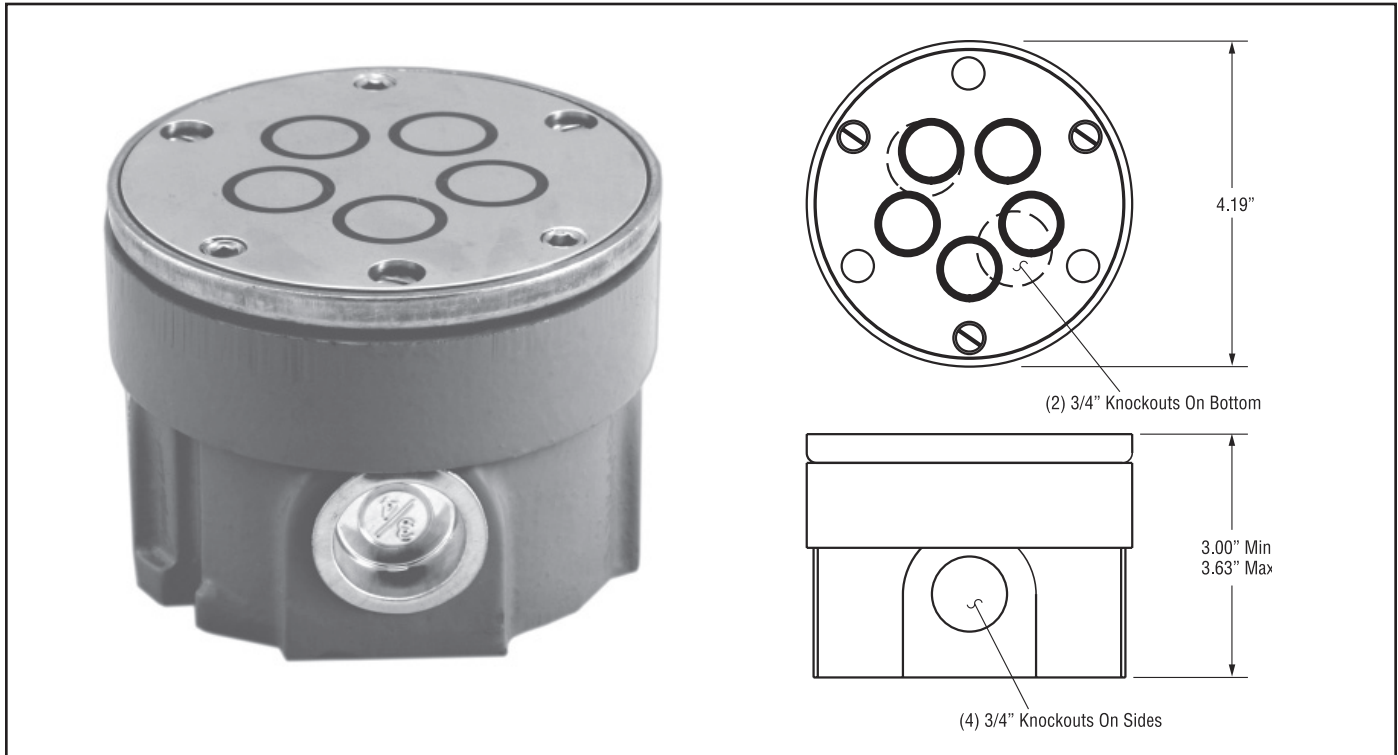


FEATURES & BENEFITS

- Reliable snow melting
- Minimum energy costs
- Control based upon pavement conditions
- Rugged construction
- Adjusts to pavement
- Simple installation
- NEC Class 2 device



DESCRIPTION

The HSC-5 Pavement-Mounted Deicing Controller reliably operates snow and ice melting heaters based upon pavement condition. This ensures that deicing heaters operate only while needed which minimizes energy costs without sacrificing snow melting effectiveness.

The HSC-5 signals for snow and ice melting at pavement temperatures below 38° F (3.3° C) while moisture in any form — including water, snow, sleet or ice — is present. Once the moisture element has dried, the built-in, five hour hold-on timer keeps heaters operating

to help ensure complete snow and ice melting.

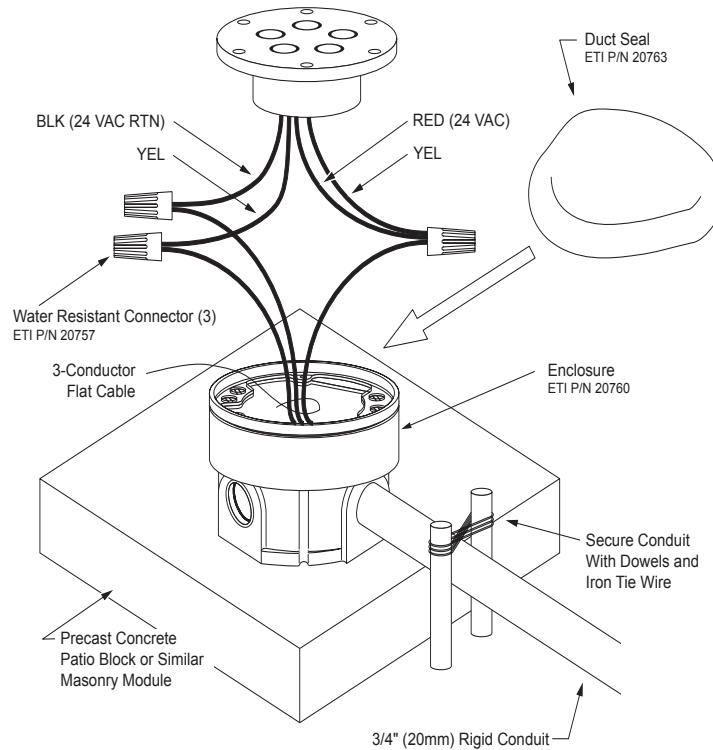
The HSC-5 accurately measures pavement temperature by compensating for its internal heating. This eliminates the cost and complexity of a separate pavement temperature sensor. For improved efficiency, products mount close to the deicing heaters to ensure that pavement and sensor become dry at about the same time.

The new mounting system provides accurate alignment with the pavement surface. Six available conduit locations add to installation flexibility

and simplicity. The sensor subassembly is field replaceable without disturbing the pavement. The HSC-5 is an NEC Class 2 device operating from customer supplied 24 volts AC. The output signal, or call-for-heat, is a floating Form A low voltage 1 amp relay contact for interfacing external heater control contactors.

Only brass, epoxy, and stainless steel are exposed to the pavement surface. Precision machining gives these products a handsome appearance that will please the building owner, engineer, and architect.

Typical Installation



HSC-5 Installation Drawing

ORDERING INFORMATION

Order Number	Description
21070	Model HSC-5 complete with replacement HSC-5 Sensor/Controller subassembly, Pavement Mounted Junction Box and instruction sheet
Replacement Part	
21068	Replacement HSC-5 Sensor/Controller subassembly
Accessory	
20760	Pavement Mounted Junction Box

LIMITED WARRANTY

ETI's two year limited warranty covering defects in workmanship and materials applies. Contact Customer Service for complete warranty information.

DISCLAIMER

Environmental Technology, Inc. makes no representations or warranties, either expressed or implied, with respect to the contents of this publication or the products that it describes, and **specifically disclaims any implied warranties of merchantability or fitness for any particular purpose.** Environmental Technology, Inc. reserves the right to revise this publication, and to make changes and improvements to the products described in this publication, without the obligation of Environmental Technology, Inc. to notify any person or organization of such revisions, changes or improvements.